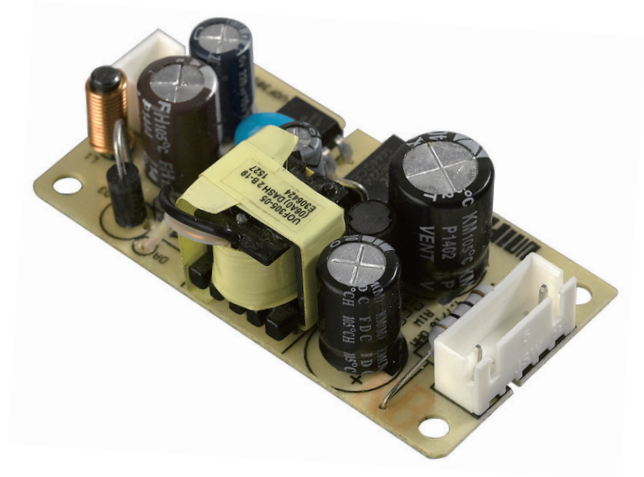


UOF 6W Series

Open Frame Switching Power Supply



▲ UOF305



■ Please contact our sales department for safety standard of each model.



Product Highlights

- Stability
- Ultra Small Size
- Energy Efficiency

Protection

- Short Circuit Protection
- Over Voltage Protection
- Over Current Protection

Safety Standard

- 60950-1

Emissions

- CE CISPR 32 EN55032
- FCC Part15 Class B

Immunity

- EN55024/A1:2001

Electrical Spec

Input					
Description	Min.	Typ.	Max.	Units	Comment
Voltage	90	100~240	264	Vac	
Frequency	47	50/60	63	Hz	

Environmental					
Description	Min.	Typ.	Max.	Units	Comment
Operating Temperature	0	-	40	°C	Free Convection,Sea Level
Storage Temperature	-20	-	65	°C	Free Convection,Sea Level
Operating Humidity	5	-	95	%RH	No Condensing
Storage Humidity	5	-	95	%RH	No Condensing

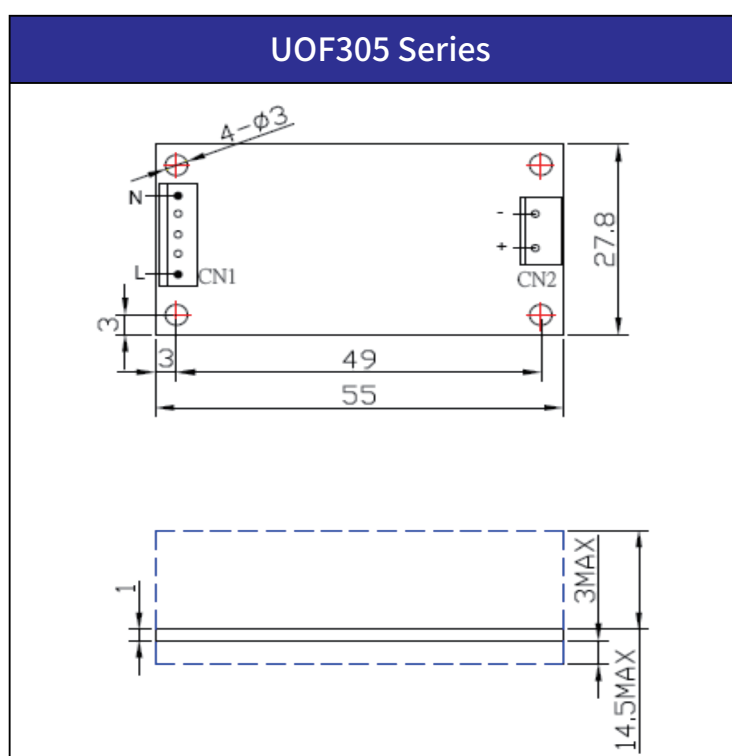
Typical model list

Output Port	DC Output Voltage	DC Output Current	Output Voltage Precision	Ripple	Noise	Option/Remark
CN2	5.0V	0.5A	±5%	200mV	200mV	
	5.0V	1.0A	±5%	50mV	50mV	
	6.0V	1.0A	±5%	60mV	60mV	
	12.0V	0.5A	±5%	120mV	120mV	
	15.0V	0.4A	±5%	150mV	150mV	
	24.0V	0.2A	±5%	240mV	240mV	

■ Measurement Condition

1. Measurements shall be made with an oscilloscope with 20MHz bandwidth.
2. Outputs shall be bypassed at the connector with a 0.1uF ceramic disk capacitor and a 10uF electrolytic capacitor to simulate system loading.

Mechanical Spec



■ Please contact our sales department for details of each model ■